

Nimo Mantle

ASSEMBLY INSTRUCTIONS

Fire retardant board is fragile - Handle with care!

Component List:

- 2 off legs B2 and C2 - (20mm by 65mm by 1000mm)
- 2 off side cleats B1 and C1 - (20mm by 110mm by 1000mm)
- 2 off inner cleats B3 and C3 - (20mm by 40mm by 920mm)
- 1 off centre rail A1 - (20mm by 90mm by 1080mm)
- 1 off top shelf A2
- 2 off side "zig-zag" frames B4 and C4
- 1 off top "zig-zag" frame A3
- 3 off fixing blocks
- 1 off hearth H1, fitted with insulate board H2

Assembly Kit:

- 34 off 35mm wood screws
- 8 off 16mm wood screws
- 4 off 30mm pan head screws
- 18 off 6mm wooden dowels
- 4 off wall plugs
- 4 off mirror plates
- 1 off glue sachet
- 8 off No 8 by 15mm round head screws, (for fixing back panel laminate to mantle).

Tools required:

- 1 off drill
- 1 off 6mm masonry bit
- 1 off spirit level
- 1 off Phillips screwdriver
- 1 off mallet

Step 1: (see Fig 1)

Identify components B1 and B2. Lay leg B2 face down with dowel holes showing up. Note: ensure 4 off dowel holes are to the left hand side, and 3 off dowel holes are to the right hand side (see fig 1).

NOTE:

IT IS IMPORTANT THAT THE DOWELS ARE FIRSTLY FULLY INSERTED INTO THE EDGE OF B1, AND NOT INTO B2. FOLLOW THESE STEPS:

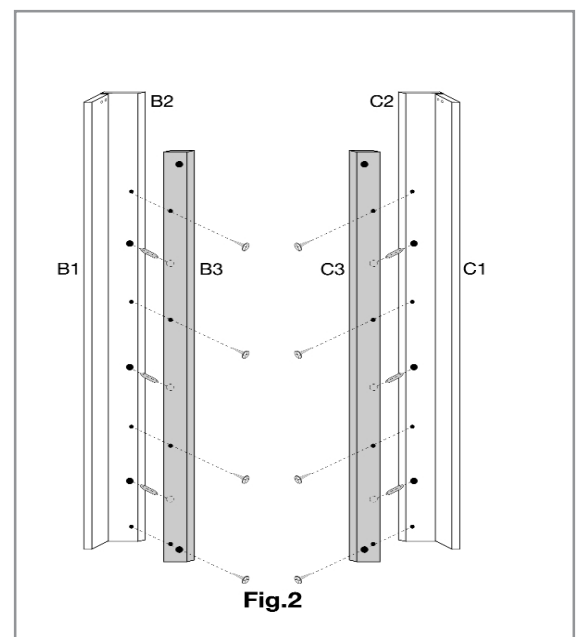
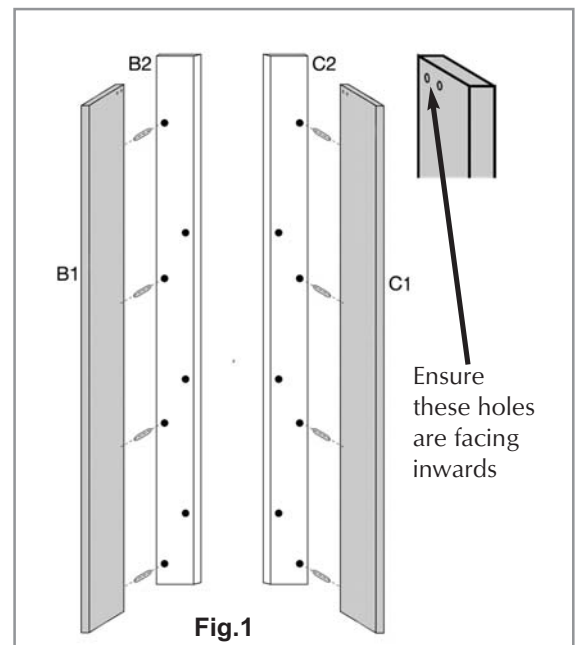
Insert a small amount of glue into 4 off dowel holes in the edge of B1. Now tap in 4 off 6mm wooden dowels. Check that the 2 small pre-marked holes on side cleat B1 are as shown in Fig1. Add a little glue to the 4 dowel holes in B2, and attach side cleat B1 to B2 via the dowels previously inserted into B1. Allow glue to dry. Repeat procedure for C2 and C1.

Step 2: (see Fig 2)

NOTE:

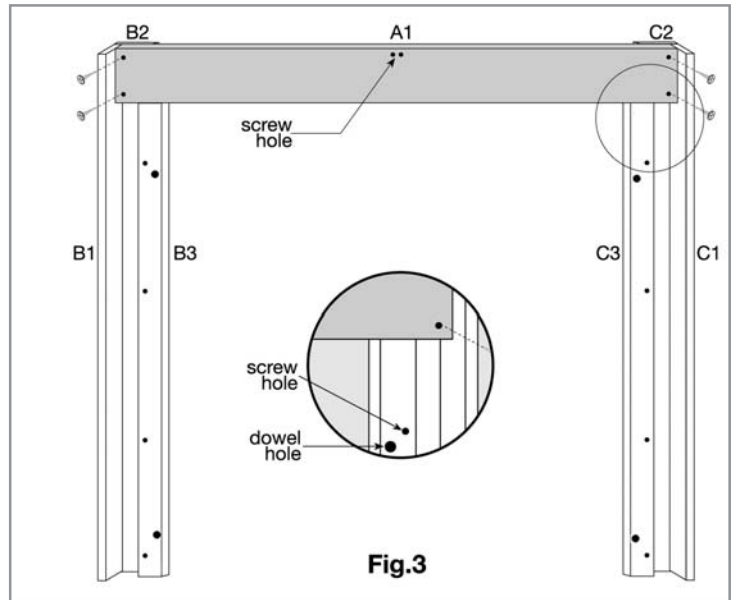
IT IS IMPORTANT THAT THE DOWELS ARE FIRSTLY FULLY INSERTED INTO CLEAT B3, AND NOT INTO B2. FOLLOW THESE STEPS:

Identify component B3. Insert a little glue into the 3 dowel holes on inner cleat B3 and tap in 3 wooden dowels. Insert a small amount of glue into 3 dowel holes in B2. Attach B3 to B2 via the wooden dowels. Select 4 off 35mm wood screws, and firmly attach B3 to B2 via the 4 off pre-drilled countersunk holes in B3. Allow glue to dry. Repeat the same procedure to attach C3 to upright C2.



Step 3: (see Fig 3)

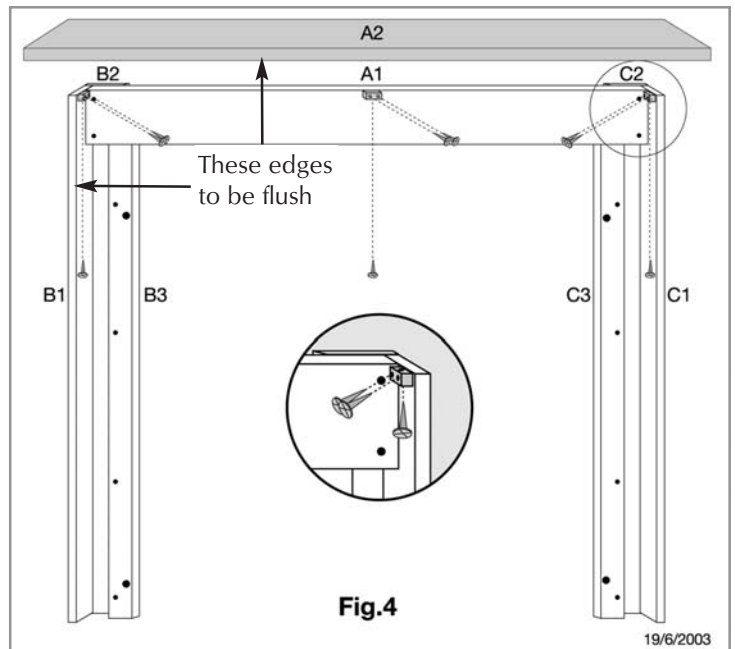
Lay assembled legs (B1, B2, B3) and (C1, C2, C3) as shown in Fig 3. Identify centre rail component A1. Ensure pre marked holes on A1 are at centre top and facing upwards, see detail in Fig 3. Ensure the two legs and centre rail are positioned squarely. Using 4 off 35mm wood screws attach A1 to left hand side and right hand side leg assemblies, via 4 off pre drilled countersunk holes.



Step 4: (see Fig 4)

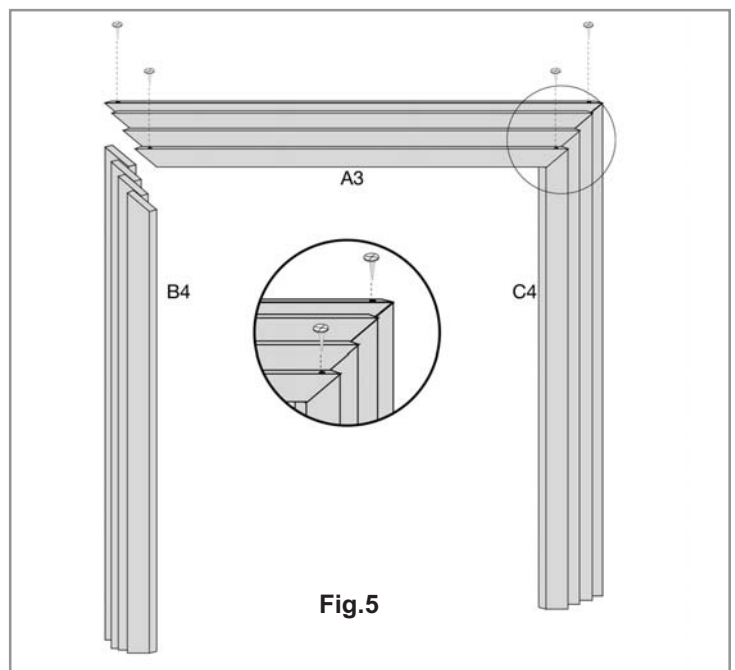
Using the pre marked holes at the inner top face of side cleat B1 as a guide, attach fixing block to B1 flush with top face using 2 off 35mm wood screws. Repeat procedure for side cleat C1 and to centre rail A1. Now stand the leg assemblies upright as shown in Fig 4.

Identify top shelf A2. Ensure the "beveled edge" of A2 is facing the front of the mantle, and the back is aligned with the back of the side cleats B1 and C1. Centralise top shelf A2 so that the overhang at each side of B1 and C1 is equal. Now fix top shelf using 3 off 35mm wood screws through the pre-drilled countersunk holes in each fixing block as per Fig 4.



Step 5: (see Fig 5)

Identify components C4, A3 and B4. Lay C4, A3 and B4 face downwards, i.e. with the existing visible screw heads facing upwards. Fix C4 to A3 using 2 off 35mm wood screws, ensuring the mitre joints are flush as per Fig 5 detail. Repeat to fix B4 to A3.



Step 6: (see Fig 6)

The assembled zig-zag frame attaches to the rear of the mantle frame with 4 off 6mm wooden dowels and 9 off 35mm wood screws.

NOTE: IT IS IMPORTANT THAT THE DOWELS ARE FIRSTLY FULLY INSERTED INTO THE ZIG-ZAG FRAME, (B4 AND C4), AND NOT INTO MANTLE (B3 AND C3). FOLLOW THESE STEPS:

Insert a small amount of glue into the 4 pre drilled dowel holes in front face of zig-zag frame B4 and C4. Insert 4 off 6mm dowels into the holes and gently tap home. Lay mantle frame front face downwards, Insert a little glue into the 2 pre-drilled dowel holes in B3 and the 2 holes in C3. . Now attach zig-zag frame to rear of mantle via the wooden dowels. Secure with 9 off 35mm wood screws into pre drilled holes through rear of zig-zag frame.

Step 7: (see Fig 7)

Note: If the fireplace is to be installed in conjunction with an electric fire, remove parts highlighted in Fig 7, by removing the existing 12 off screws, and lifting off components. See detail below.

If fireplace is to be installed in conjunction with a gas fire ignore Step 7, and go straight to step 8.

Step 8: (see Fig 8)

Attach mirror plates to rear edge of B1 and C1, 100mm from top and bottom using 8 off 16mm wood screws. Insert the hearth laminate, (packaged with fire), by sliding into the back edge of hearth H1, such that it rests on top of insulate board H2.

Stand the mantle on the hearth H1 and H2 (with laminate fitted, see Step 9). Ensure the Hearth and mantle are straight and aligned, mark positions of holes in mirror plates, and drill holes with 6mm masonry bit, and plug with wall plugs supplied. Fix mantle and hearth to wall using 4 off 30mm pan head screws ensuring mantle and hearth are tight against the wall and aligned as in Fig 8.

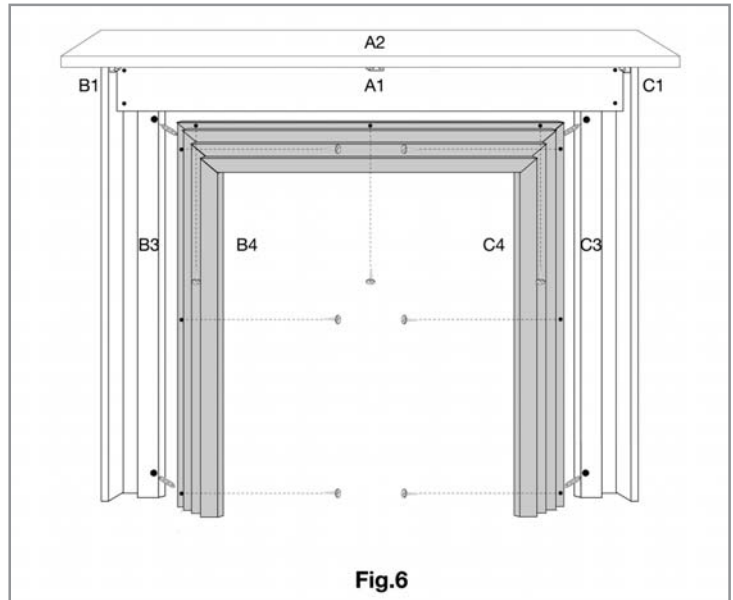


Fig.6

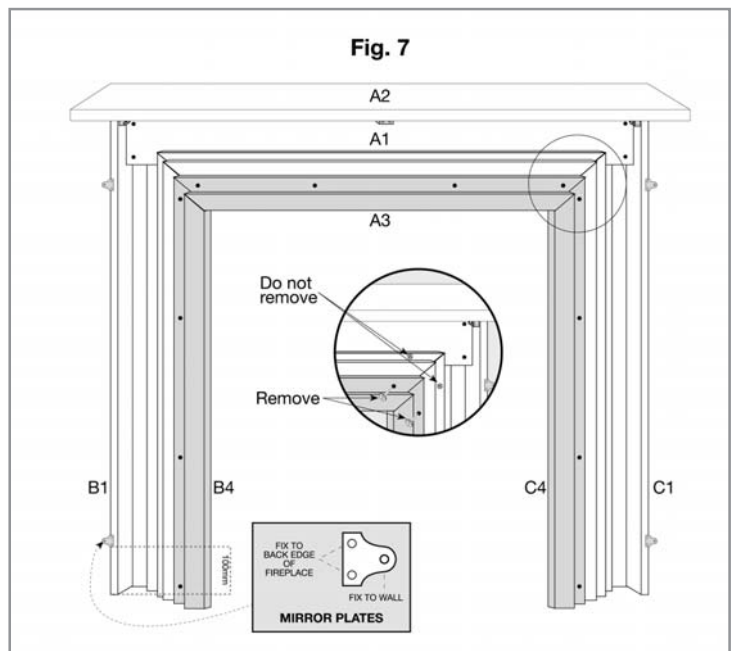


Fig. 7

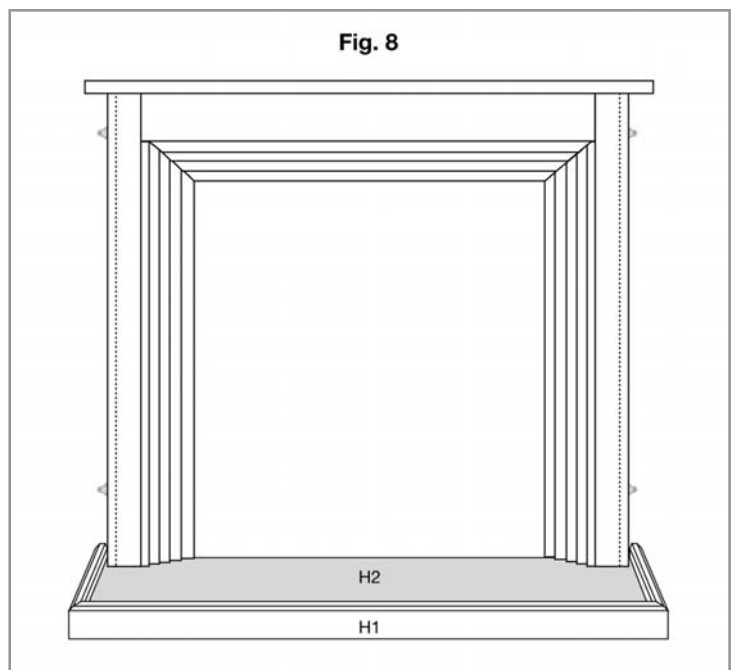


Fig. 8

Step 9: (see Fig 9) - Cutting the back panel Laminate

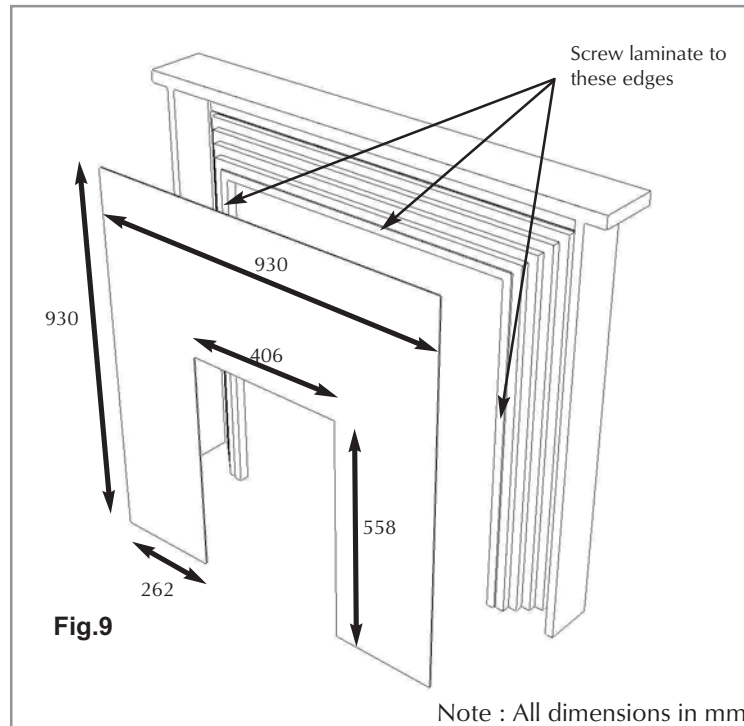
Tools you will need:

- Jigsaw or laminate saw with suitable blade
- Electric or battery drill with a 4mm drill bit
- Suitable Phillips screwdriver
- Tape measure and marker pen

The area to be cut should be 558mm (22") and 406mm (16") wide, as detailed in Fig 9.

Note: ensure 406mm wide dimension is positioned equidistant about the centre of the laminate.

Carefully cut out the section, using the jigsaw or laminate saw.



After cutting, offer the back panel to the rear of the mantel assembly and position centrally and drill the laminate using a 4mm drill bit, ensuring that the drill holes are located centrally on the rear edges of the frame. Do not drill into the frame.

Screw the laminate, as detailed in Fig 9, onto the rear faces of the frame using 7 off No 8 by 15mm round head screws provided.

Note: For gas installations the rear of the laminate panel must be suitably sealed on to the fireplace opening.

Disclaimer: The components of this mantel are manufactured from natural pine wood. As such, it is likely that there will be variations in the appearance, texture, grain structure, colour and knot content etc, of the individual components.

Caution: Wood products may produce splinters, so care should be taken during assembly.

Warning: This mantel is not designed for heavy use. Care should be taken to distribute weight evenly.

Note: Wall plugs supplied are for masonry or solid wall fixing only. For any other type of wall seek professional advice.

Rev.D 10/03